



www.worksafetech.com

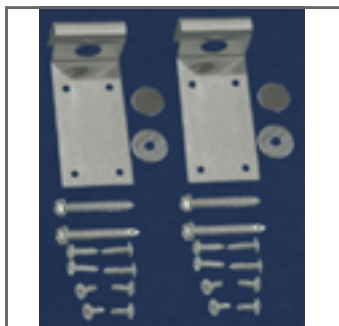
SeismaFlex™ Brackets

SF 224S, SF 226S, SF 226SA

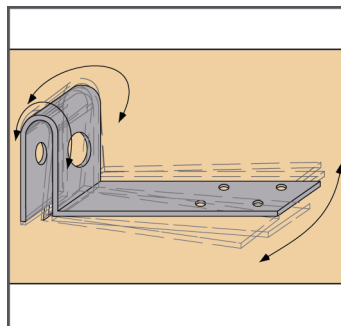


PRODUCT FEATURES

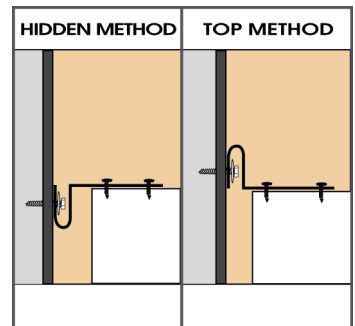
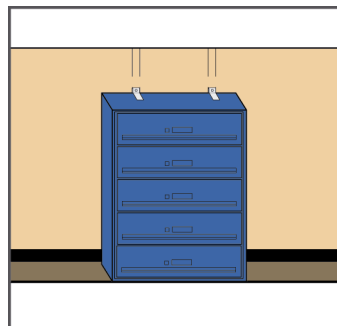
- *Helps compensate for poorly constructed office and partition walls*
- *Brackets flex to absorb energy, reducing stress at fastening points*
- *Standard (2) bracket kit is for top fastening of items located directly against a wall*
- *Shape of bracket allows item to sit away from wall to accommodate wall molding, electrical, etc.*
- *Also available with 3M® VHB™ adhesive tape (for fastening to metal furniture without drilling holes)*



SF 224S



Brackets handle movement in any direction without prying or pulling on the mounting hardware.



Mounting methods side view.

These Stainless steel brackets are designed with a "U" bend that springs and flexes with resistance to absorb displaced seismic energy, reducing stress at the fastening connections. A rigid "L" bracket will immediately transfer the force to the connecting hardware, often snapping the heads off the screws or prying them out. Webbing straps and chains work to deflect energy but do not provide any resistance.

SeismaFlex™ brackets can handle stress from any direction and have a better designed hole pattern which allows the bracket to fasten to a wall stud with a single large lag. The furniture side attaches with multiple screws or adhesive.

This semi-rigid form of seismic anchoring is the most effective form of earthquake fastening for extra large and heavy furniture such as armoires, entertainment centers, file cabinets, bookcases, etc.

SPECIFICATIONS

- Dimensions:**
- All brackets have a 1.5" raised "U" bend
 - SF224S 2" x 4" for items 1/2" from wall
 - SF226S 2" x 6" for items 4" from wall
 - SF226SA 2" x 6" for items 4" from wall
 - *SF226SA has 3M® VHB™ adhesive tape

- Materials:**
- Made from 16 gauge Stainless steel with a bright finish

- Kit includes:**
- (2) brackets, pinhead tek screws,
 - pinhead wood screws, lag screws for wood studs, tek screws for metal studs, cover-up caps.

*Hilti® Toggles™ are available for attachment to drywall.