



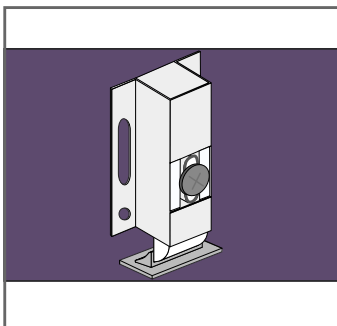
www.worksafetech.com

Seismic Resistant Cabinet Door Latches

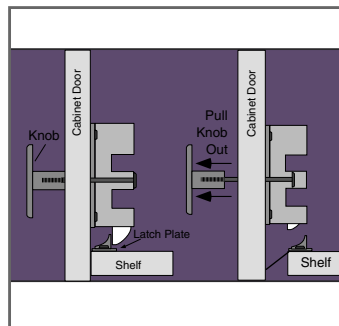
**CL 01, CLK 01,
CL 37B, CL 37MB, CL 37W**

PRODUCT FEATURES

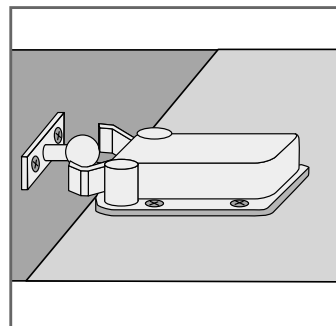
- *Easy to use, positive locking cabinet door latches*
- *Cabinet door remains closed until it is pushed or pulled open*
- *Do not require a series of motions to open*
- *Works with any standard 8/32" thread style knob*



CL 01



Pulling the knob lifts the latch up over the plate



Pushing the cabinet door releases the latch



CL 37W

Upper cabinets containing heavy items or glassware should receive "positive locking" cabinet latches in order to prevent a potential disaster in a seismological event.

We offer two types of "positive locking" cabinet latches. These latches have a locking mechanism that will not allow the cabinet door to open unless the mechanism is triggered by a pulling or pushing action. These latches have proven to be the most user friendly since they do not require a series of motions like child safety latches. Our cabinet latches work with any standard 8/32" thread style knob. Our "pull the knob" latch is attached to the inside of the cabinet door and opens when the knob is pulled. Our "push" our touch latch, operates by simply pushing the door in at the bottom and the latch releases the door.

SPECIFICATIONS

Pull latch: Metal body with metal latch plate
Works on cabinet doors up to 3/4" thick

CL 01 - You supply cabinet knob

CLK 01 - Chrome knob

Push latch: High quality plastic
Requires cabinet doors to maintain 1/8" gap between door and shelf

CL 37B = Black

CL 37MB = Medium Brown

CL 37W = White