



www.worksafetech.com

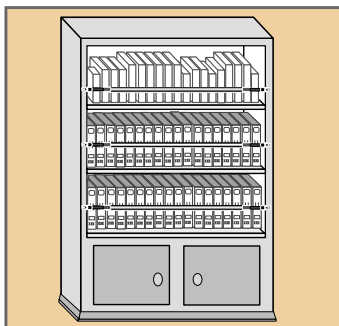
Heavy-Duty SnapStrap™ Bars

SSHD 03B, SSHD 04B

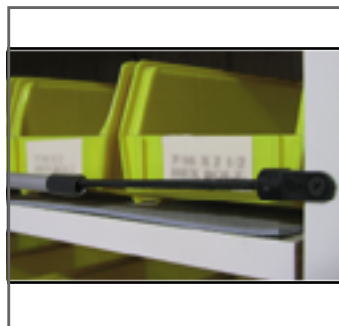
PRODUCT FEATURES



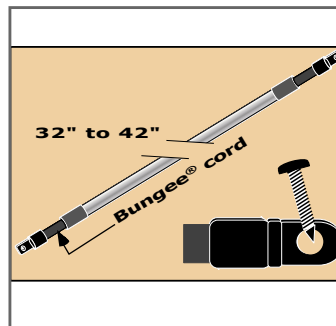
- *Ideal for wood or metal shelves and bookcases that have heavy books or boxes*
- *Aluminum tube increases retention strength of the elastic cord*
- *Bar is pulled up or down to remove books or items*
- *Items are easy to access and view*
- *Cords can be doubled up for more coverage*



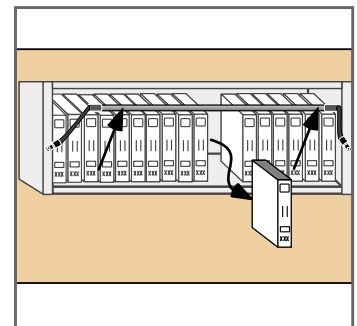
Keeps shelf items from falling off



Bungee cord runs through tubing



Screw mount ends attach bars to shelving



Bar is pulled up or down to remove books or items

SnapStraps™ are designed to prevent items such as books and boxes from sliding off of shelves, yet still allow easy access to the shelving contents.

The Bungee® cord runs through an aluminum tube which makes it rigid; thus increasing the retention strength of the elastic cord in the center where it usually stretches out the most.

This form of shelf retention is ideal for overhead bookshelves, law libraries and pharmacy storage shelves.

Bars can be cut to custom sizes, please ask your WorkSafe Technologies representative for more details.

SPECIFICATIONS

- Bungee®:** SSHD 03B - 36" black Bungee®
 □ SSHD 04B - 48" black Bungee®
 □ High quality latex rubber strands encased in a Nylon shell fabric
- Tubing:** □ 34" Aluminum pull bar
- End connectors:** High-quality break-resistant plastic
 Hardware is always grade 5 or better.